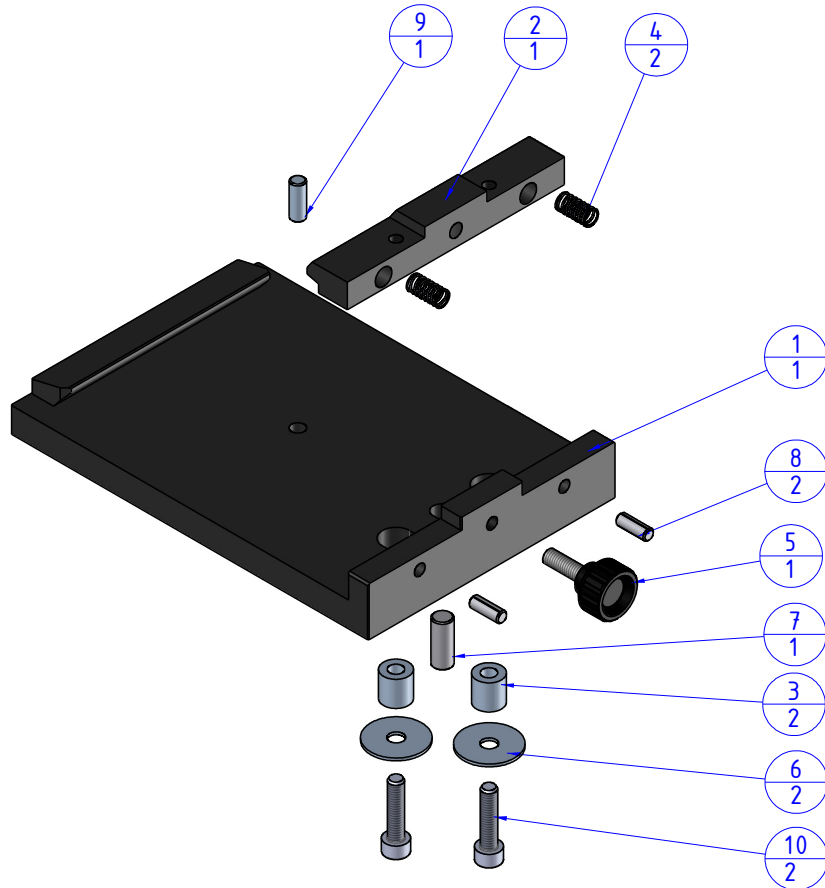
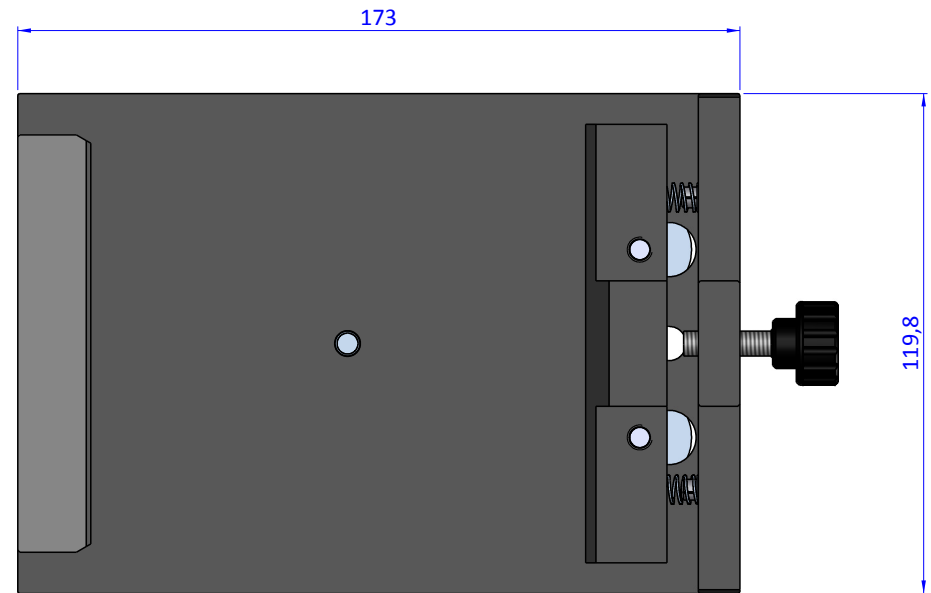
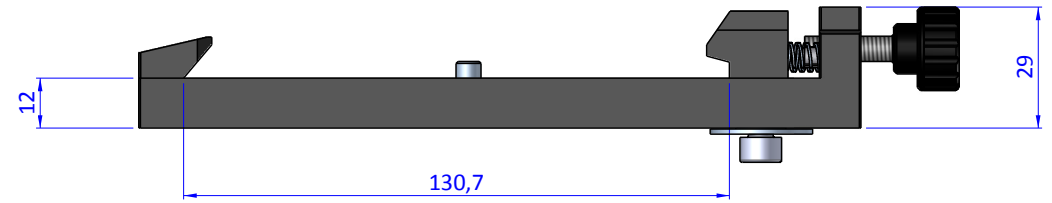



THE PROPERTY OF THE DRAWING IS ESTABLISHED BY LAW. IT IS FORBIDDEN TO PRODUCE OR SHOW IT TO THIRD PARTY, WITHOUT A WRITTEN AGREEMENT.

Item	Name	Q. ty
1	01.02.003.01	1
2	01.02.003.02	1
3	01.02.003.03	2
4	M.7x18	2
5	POM.6581	1
6	R.6.Larga	2
7	SP.8x20	1
8	SPI.5x14	2
9	SPI.6x16	1
10	V.TCE6x25	2



 FPS FPSERVICES AUTOMATION		DESIGNED FROM		REVIEW
		FPS Automation		A
GENERAL TOLERANCE		DATE	WEIGHT	
UNI - ISO 2768		10/09/2019	0,814kg	
CLASSE f		CODE		
		CA.01.02.003		CA.01.02.003

Format A3

UNI 936-76